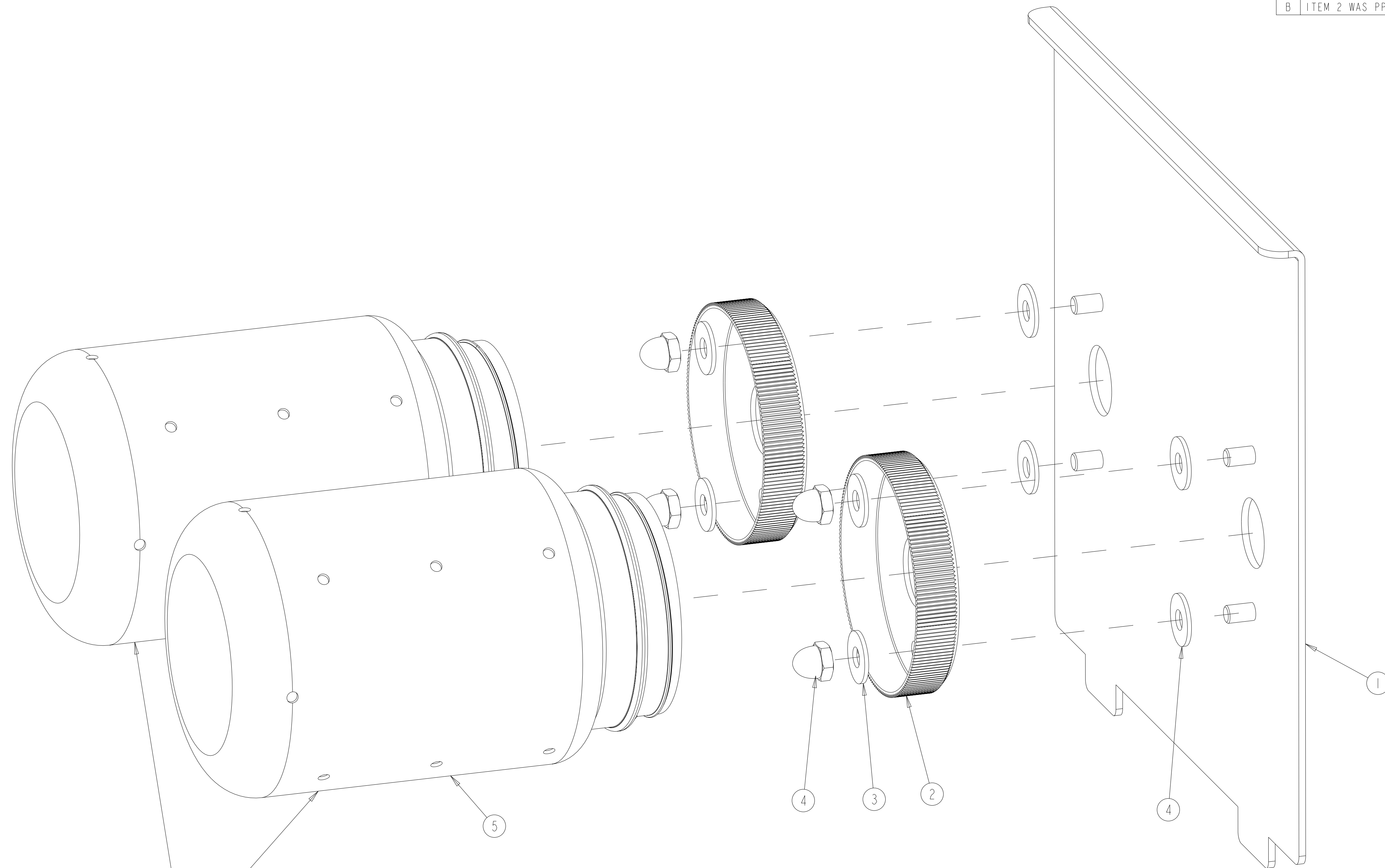
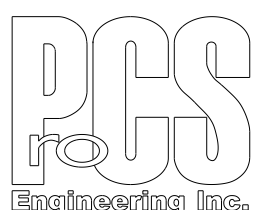


REVISIONS			
LTR	DESCRIPTION	DATE	APPROVED
A	RELEASE	9-06-06	
B	ITEM 2 WAS PP NOW PHENOLIC	5-23-07	JMB



WORKING ENVELOPE APPROX. 2" X 4"

ITEM	QTY	PART NO.	DESCRIPTION / MATERIAL	VENDOR
5	2	050-002111-0000A	SMALL PARTS BASKET	
4	4	001-A00369-01801	10-32 SST ACORN NUT	
3	8	003-A00429-01801	#10 SST WASHER	
2	2	050-002112-0000B	SMALL PARTS BASKET COVER, PHENOLIC BLACK	
1	1	088-003087-0000A	PLATE, SMALL PARTS BASKET, SST	

UNLESS OTHERWISE SPECIFIED DIMENSIONS ARE IN INCHES TOLERANCES ON DECIMALS    DECIMALS    ANGLES .XX±0.01    .XXX±0.001    ±0.1°		DRAWN BY: JMB 9-6-06	PCS Engineering Inc. 25 Fourth St NW, Osseo, MN. 55369
DO NOT SCALE THIS PRINT		DESIGNED BY: -----	
MATERIAL:		APPROVED: -----	 SMALL PARTS BASKET ASSY
NEXT ASSY USED ON APPLICATION		MFG: -----	
		QA: -----	REVISION LEVEL: <b>C</b>
		ENGINEERING MANAGER: -----	SIZE DWG NO. <b>D</b> <b>003089</b>
		R&D CONTRACT NO. -----	SCALE: 1/1    UNIT WT:    SH 1 OF 1